

Data Sheet



The Right Connection®

# Bumpered Brass Fog Nozzles

BBN75  
BBN100

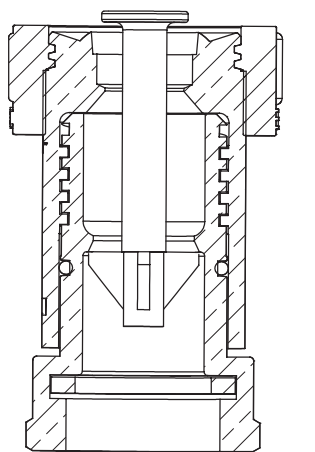


BBN100  
wide open position

- straight stream, capable of more than 100° spray angle
- twist shutoff and flow-type change
- threads: NPSH, NST, or made to order
- max working pressure: **100 PSI**, max rated pressure **175 PSI**
- UL, ULC and FM approved

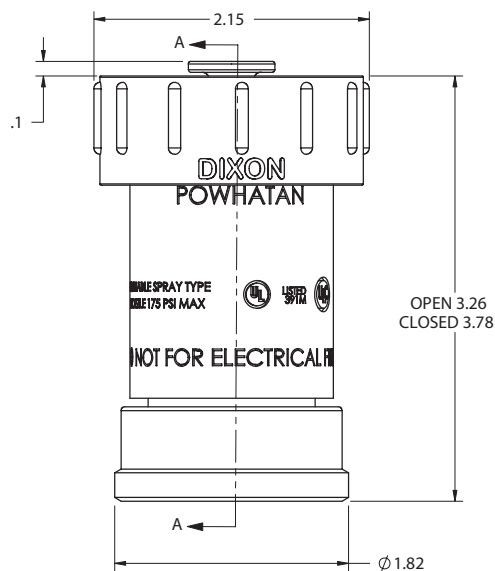
Model	Fire Type	Size	Max Inlet Pressure (PSI)	Rated Operating Pressure (PSI)	Rated Flow at Rated Pressure (GPM)	Rated Flow at Wide Open Position: 100 PSI (GPM)
BBN75	Class A and B	3/4"	175	100	54	54
BBN100	Class A and B	1"	175	100	60	60

ALL DIMENSIONS ARE SHOWN IN INCHES.



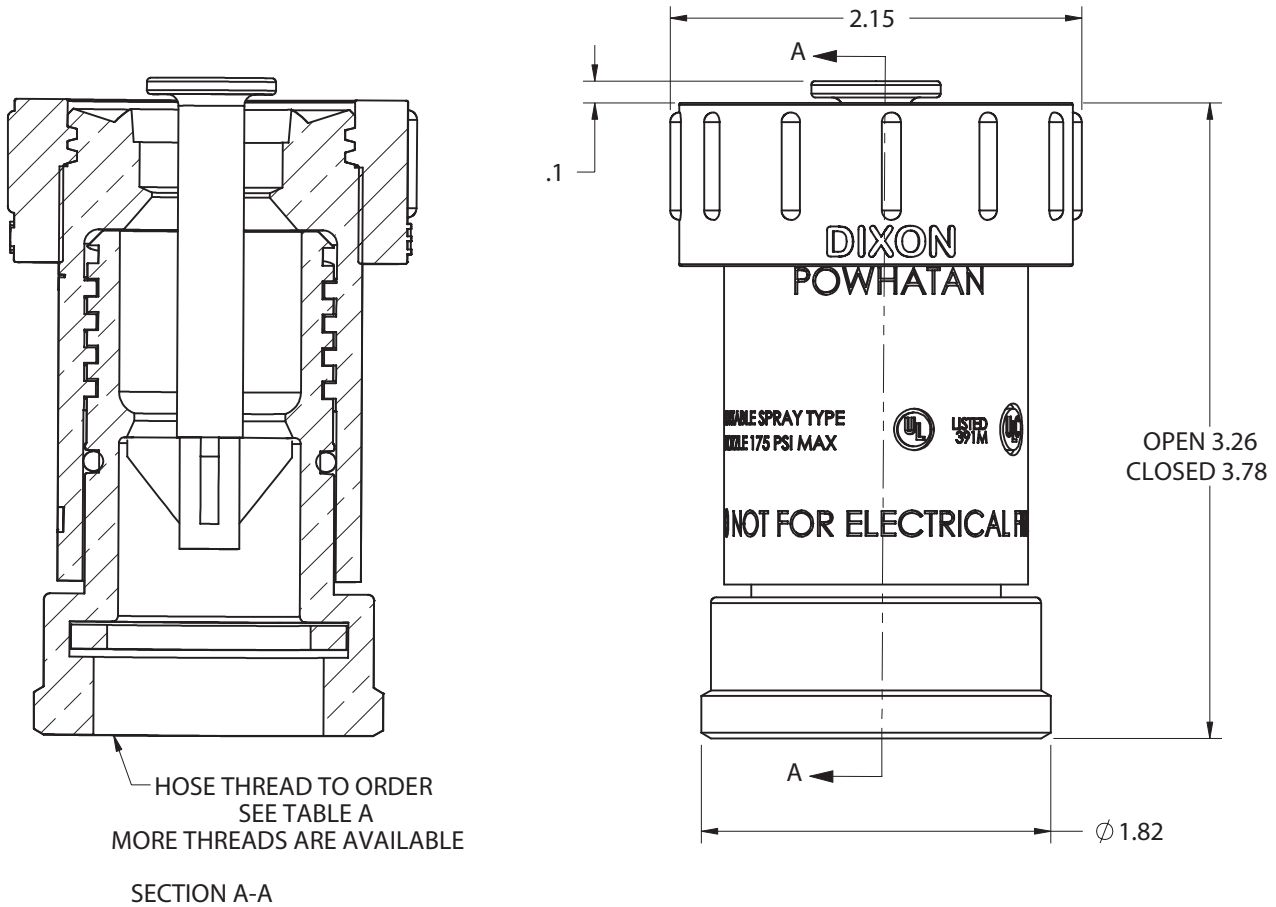
HOSE THREAD TO ORDER  
SEE TABLE A  
MORE THREADS ARE AVAILABLE

SECTION A-A



Model	Size	Thread Options	
BBN75	3/4"	NPSH	GHT
BBN100	1"	NPSH	NST

# Technical Information



**Table A**

Model	Size	Thread Options	
BBN75	3/4"	NPSH	GHT
BBN100	1"	NPSH	NST

This information is only a general guideline. The company reserves the right to change any portion of this information without notice. Terms and conditions of sale apply and are available on request.

## Dixon Fire

ph: 410.778.2008 • 877.712.6179

fx: 410.778.4702 • 800.283.4966

[dixonvalve.com](http://dixonvalve.com)

connect with us on



© 2019 DVCC

BBN-SPECSHT519\_inhouse